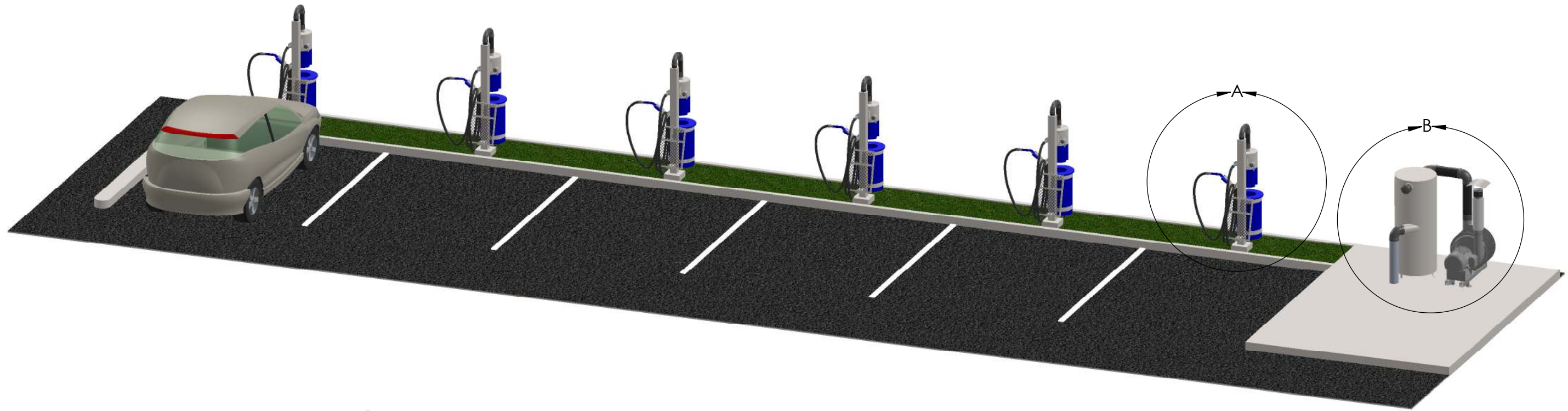
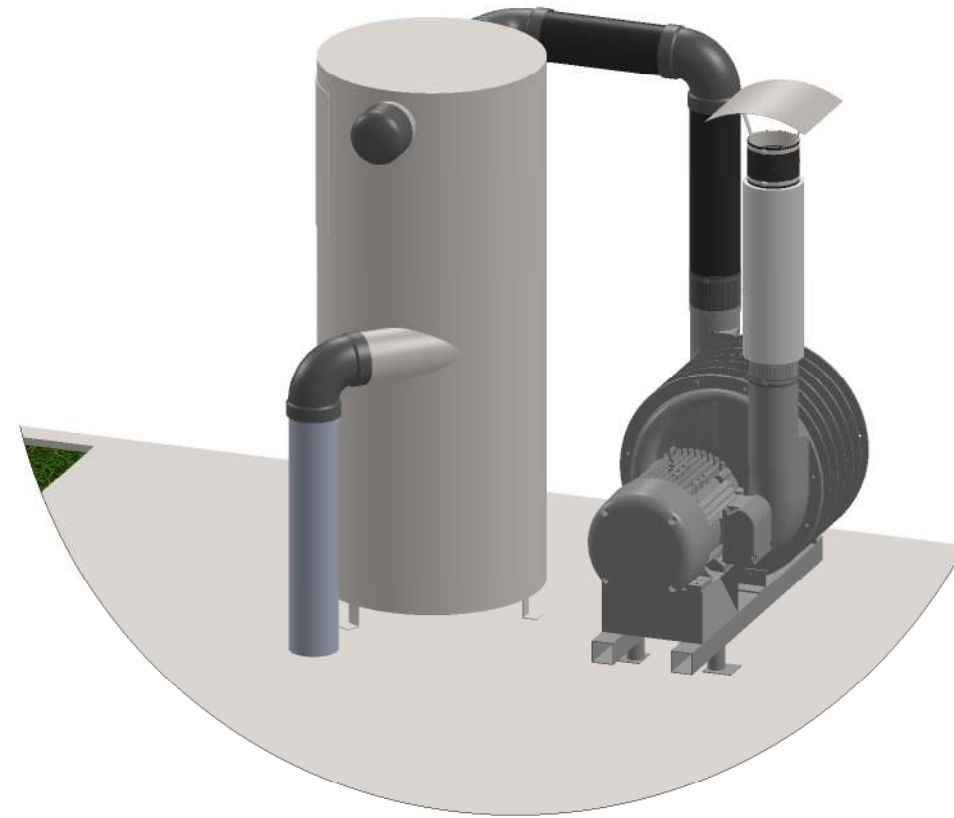


FULLY LOADED STANCHION



DETAIL A
VACUUM STANCHION



DETAIL B
VACUUM PRODUCER